

Stainless steel vortex flow control series CY-F

Semi-dry installation (flange connection)

PRODUCT DESCRIPTION

ESEP AISI 304 vortex flow control, series CY/F, is a flow limiter. It is designed to limit the flow in overflow basins, surge basins and sewer systems (combined and rainwater) to a predefined, maximum drainage capacity. The ESEP vortex flow control consists of a durable, stainless steel (AISI 304) casing with no moving parts. At low flow rates, the vortex flow control allows the (waste) water to flow through unhindered. Available in several types depending on the situation.

APPLICATIONS

The vortex flow control is perfectly suited as a flow limiter in overflow basins, surge basins, combined and rainwater sewer systems, industrial waste and watercourses. Furthermore, the vortex flow control serves as a good flow limiter for separators and industrial water treatment.

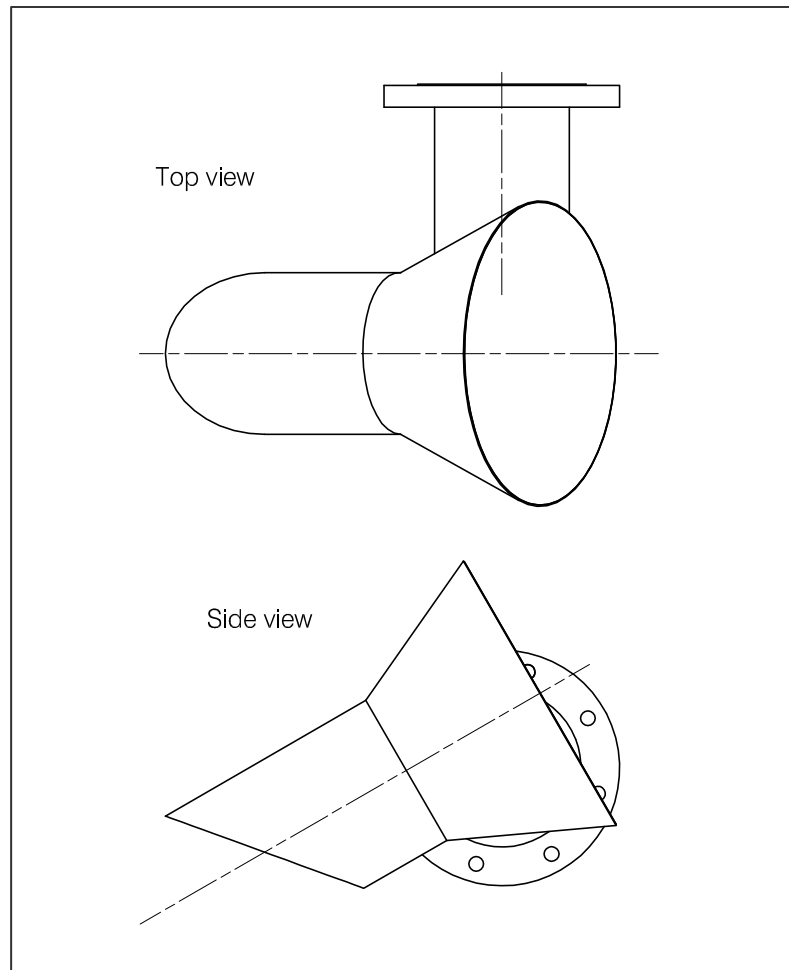
QUALITY

- Flange connection
- Considerable saving in the size of your industrial water purification system
- Approved in conformity with Aquafin guidelines SB 250, III-12.6
- No moving parts
- No wear and tear
- Consumes no energy
- Corrosion-free construction
- Required capacity can be precisely defined
- Quickly and easily installed
- Minimal maintenance

Options

- Inspection cover
- Lifting eye
- Unblocking valve
- Fabrication from AISI 316

DRAWING



SPECIFICATIONS

Specifications dependent on the type of vortex flow control.



Sole Distributor for UK and Ireland.