

FLOW CONTROL series EVD

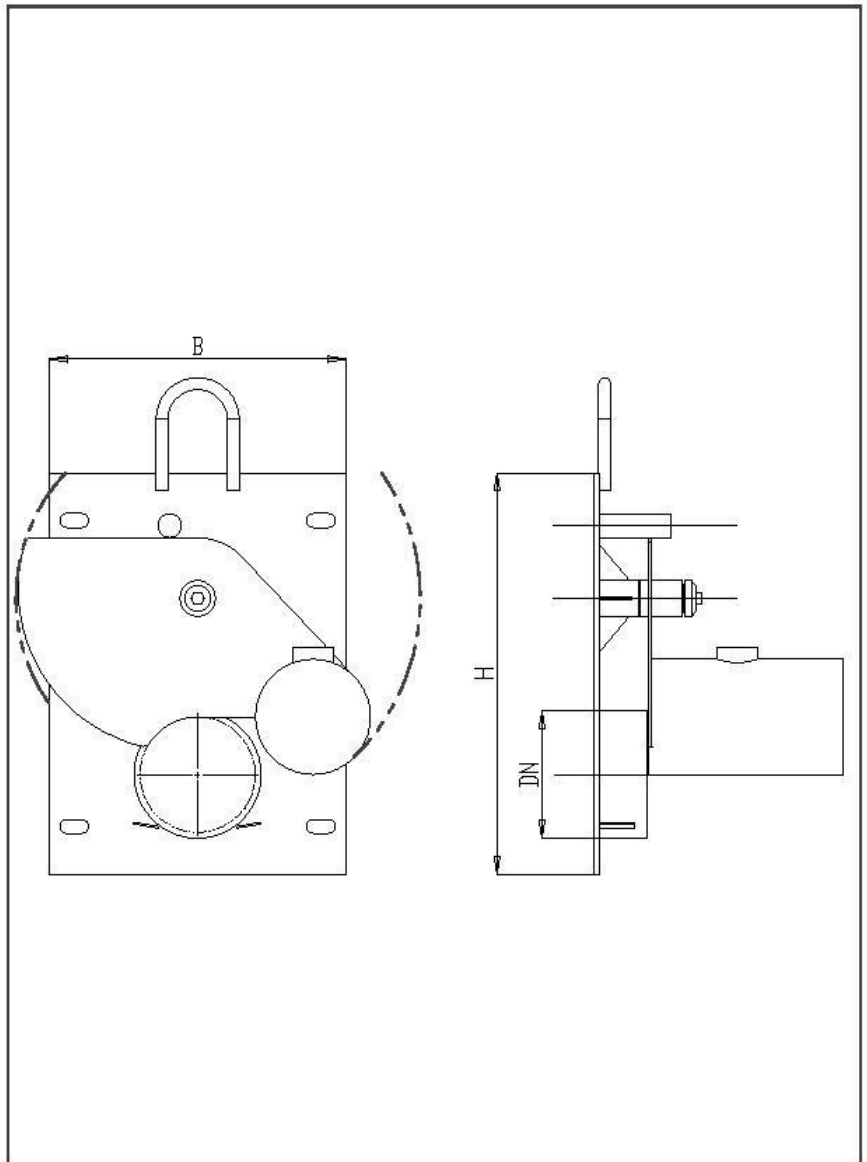
PRODUCT DESCRIPTION

AISI 304 float controlled flow control, **series EVD**, fitted with moving float, is designed to limit the flow in overflow bassins, surge basins and sewer systems (combined and waste water) to a predetermined maximum drainage capacity. Available in several types depending on the situation.

APPLICATIONS

The flow control type EVD is perfectly suited as a flow limiter in overflow basins, surge basins, combined and rainwater sewer systems, industrial waste and watercourses. Furthermore, the EVD flow control serves as a good flow limiter for separators and industrial water treatment

DRAWING



QUALITY

- Consumes no energy
- Corrosion-free construction
- 100% accurate determination of flow within the design area
- Easy and quick to install
- Minimum maintenance
- Material stainless steel AISI 304 (also available in AISI 316)

SPECIFICATIONS

Type	DN	l/s	B	H
EVD 150-A	100-200	3-20	300	425-525
EVD 300-B	300	20-75	400	675-825
EVD 400-C	400	75-160	500	950-1100
EVD 500-D	500	160-280	600	1175-1350
EVD 600-E	600	280-460	700	1425-1625