

# Stainless steel vortex flow control series UCY

## Submerged installation

### PRODUCT DESCRIPTION

AISI 316 vortex flow control, **series UCY**, is a flow limiter. It is designed to limit the flow in overflow basins, surge basins and sewer systems (combined and rainwater) to a predefined, maximum drainage capacity. The ESEP vortex flow control consists of a durable, stainless steel (AISI 316) casing with no moving parts. At low flow rates, the vortex flow control allows the (waste) water to flow through unhindered. Available in a several types depending on the situation.

### APPLICATIONS

The vortex flow control is perfectly suited as a flow limiter in overflow basins, surge basins, combined and rainwater sewer systems, industrial waste and watercourses. Furthermore, the vortex flow control serves as a good flow limiter separators and industrial water treatment systems.

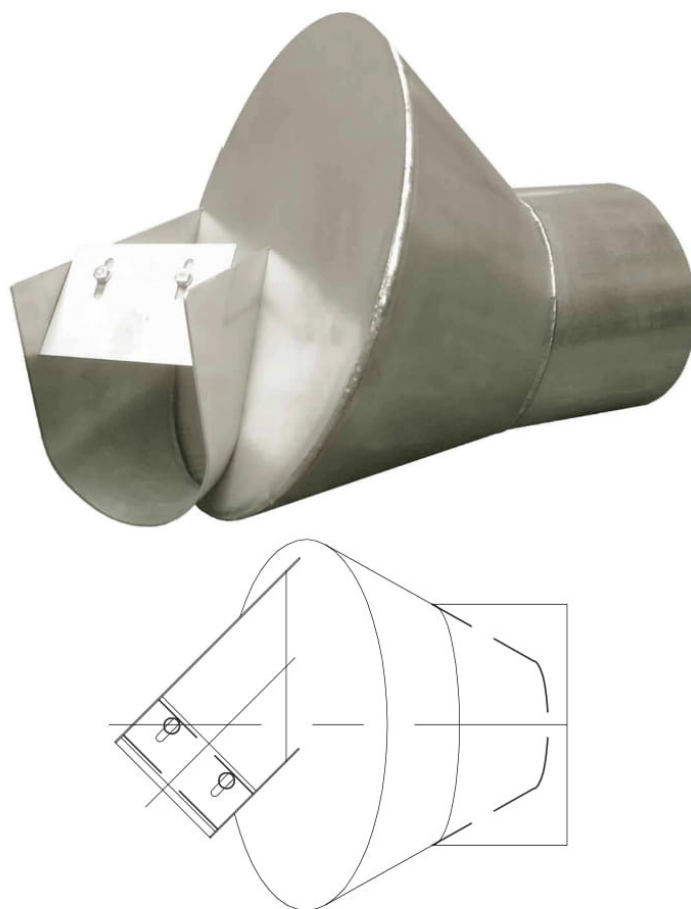
### QUALITY

- Considerable saving in the size of your industrial water purification system
- Approved in conformity with Aquafin guidelines SB 250, III-12.6
- No moving parts
- No wear and tear
- Consumes no energy
- Corrosion-free construction
- Required capacity can be precisely defined
- Quickly and easily installed
- Minimal maintenance

#### Options

- Inspection cover
- Lifting eye
- Unblocking valve

### DRAWING



### SPECIFICATIONS

Specifications dependent on the type of vortex flow control.

